

KENNETH COLE
NEW YORK


THE WELLNESS WATCH

INSTRUCTION MANUAL AND WARRANTY BOOKLET



Please check the manual before using
Version 8.0

CONTENTS



1	International Warranty	-----	1--3
2	Appearance	-----	4
3	Charging and start up	-----	5
4	APP download	-----	6
5	Pairing	-----	7
6	Features	-----	8
7	FAQ	-----	9
8	Precautions	-----	10



KENNETH COLE NEW YORK INTERNATIONAL WARRANTY

Your KENNETH COLE NEW YORK Wellness Watch is warranted against defects in materials and workmanship by KENNETH COLE NEW YORK under the terms and conditions of this warranty, for a period of one (1) year from the original date of purchase.

THIS WARRANTY DOES NOT COVER:

- battery, strap.
- damage resulting from improper handling, lack of care, accidents, or normal wear and tear.
- water damage unless marked “water-resistant”.

This warranty is void if the product has been damaged by accident, negligence, unauthorized service, or other factors not

due to defects in materials or workmanship.

THIS WARRANTY GIVES YOU SPECIFIC LEGAL RIGHTS. YOU MAY ALSO HAVE OTHER RIGHTS, WHICH VARY FROM COUNTRY TO COUNTRY. IN THE U.K., NOTHING IN THIS WARRANTY WILL AFFECT YOUR STATUTORY RIGHTS.

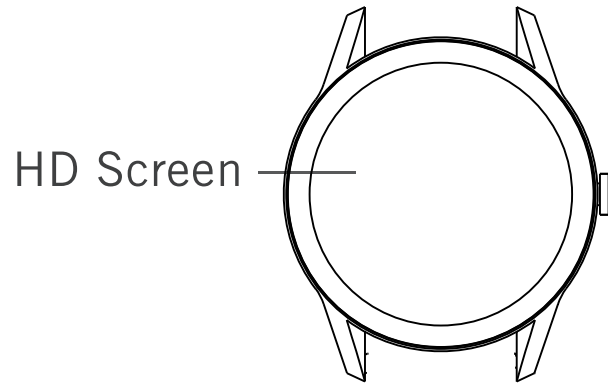
* REQUESTING WARRANTY OR OTHER PRODUCT REPAIR

Please send your product with a copy of your sales receipt and/or the warranty booklet with the dealer stamp and a description of the problem to the Authorized International Watch Service Center closest to you.

* For service work that is not covered under warranty, the service center may perform the services you request for a charge dependent on the type of work requested. These charges are subject to change.

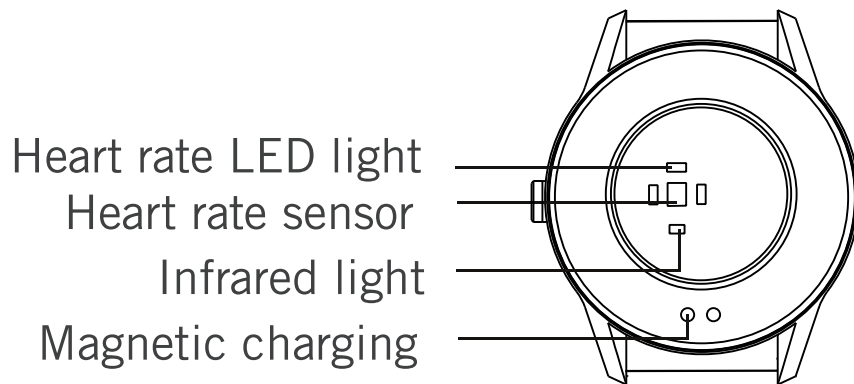
Do not send original packaging, as it will not be returned. KENNETH COLE NEW YORK highly recommends you insure your parcel and adequately protect the product during shipment.

KENNETH COLE NEW YORK is not responsible for product lost or damaged during shipment.



02

Appearance

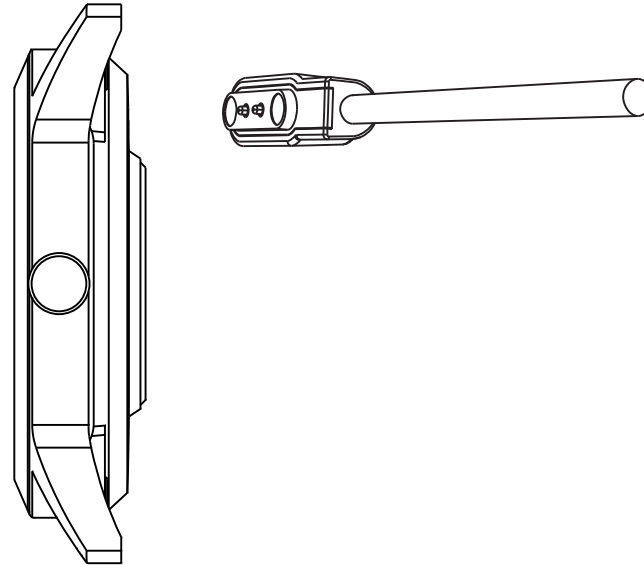


Press and hold to start up/shut down, Press to return.

©This product is produced with safe components commonly used in other technical products. Due to individual differences, if skin should feel uncomfortable while wearing or the consumer experiences an allergic reaction, please stop wearing immediately and consult a doctor.

03

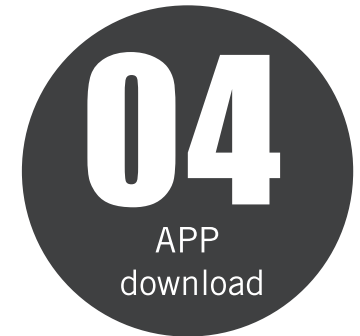
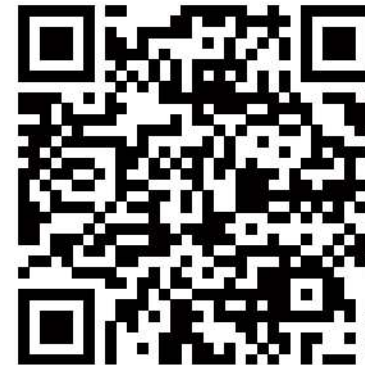
Charging
and start up



Please charge the product for more than two hours before use. Align the charging port with the metal contacts on the charging base until the charging indicator appears on the screen.

- © Please use the special charging cable that comes with the package. Keep charging port clean and dry.
- © Note: Do not use a power adapter with an output of more than 5V 1A to charge, otherwise the circuit may be burnt, resulting in the product not charging.

Scan the QR code on the right with your mobile phone or go to APP Store to download and install GloryFit. Please allow this software the related permissions to ensure that the Bluetooth connection is normal.





1. Please open the APP and follow the steps provided to add and connect the device in the APP. When pairing, confirm that the Bluetooth address on the APP and the product are the same (check the settings for the Bluetooth address).
2. When pairing, please make sure the Bluetooth on the mobile device is on and nearby to connect. After the pairing is successful, confirm the connection status in the swipe-down notification bar of the product.

The product supports full-screen touch. You can view various functions by sliding up and down, left and right, and press/hold on the screen.



The product supports the following Wellness functions:

- Body Temperature
- Heart Rate Monitor
- Blood Pressure
- Blood Oxygen Level
- Pedometer
- Calories Tracker
- Sleep Tracker

Disclaimer:

This product is intended for General Wellness purpose and for your personal reference only. It is not a medical device and should not be used as a substitute for professional medical judgement. Not intended for use in detection, diagnosis, treatment of any medical condition or disease. Please consult a medical professional prior to making any decisions related to your health.



1. App can't find the product.

Answer: Please try to press the product button first. If the screen does not light up, connect the product to its charger to confirm the status of the battery.

2. The device frequently disconnects.

Answer: The product APP needs permissions to run in the background. Please check mobile device.

3. The device cannot be charged.

Answer: Please make sure the back part of the product and magnetic charger are clean and connected in the correct position.

1. Take off the product before bathing, swimming, or other aquatic activities.
2. Do not store the product in a place with high humidity, high temperature or low temperature for an extended period.
3. Not suitable to use in a heavy dust concentrated environment.
4. If the product is continuously crashing or requires resetting, open the APP and clear the memory/record and try again, or quit the APP and open it again.



The company reserves the right to modify the contents of this manual without any notice. Some functions are different in specific software versions, which is normal.